

BRUSHLESS POWER TORQUE DC-TYPE AUTOMATIC SCREWDRIVER

Smart Tool Torque Display



 **KILEWS**®

www.kilews.com

KILEWS INDUSTRIAL CO., LTD. was established in July 1984. The company began with USD\$1,000,000 investment and six staff. We created the KILEWS as our trademark with the most professional techniques for making automatic electric screwdrivers to the world.

In 1988, our investment grew to USD\$170,000 and we decided to expand international markets, especially for Asia region.

In 1990, based on increasing demand for KOREA market, KILEWS set up the electric screwdriver assembling plant in INCHON, KOREA.

In 1992, with the approval of Investment Commission, MOEA, the company invested US\$200,000 to TIANJIN TAIWEI INTERNATIONAL TRADING CO., LTD. for international trading and Northern China Customer Service Center of KILEWS.

In July 1994, KILEWS (CHINA) CUSTOMER SERVICE CENTER was established in SHEN-ZHEN, KUAN-CHOU of China and KILEWS (H.K.) TRADING COMPANY in December in Hong Kong.

In January 1995, KILEWS completed building a new plant in Hsin-Chuang Dist., New Taipei City, Taiwan, R.O.C., the capital was increased to USD\$350,000 at the same time with 46 staff through professional automatic equipment to sell our products all over the world.

In 1996, KILEWS established two China offices- TUNG-GUAN OFFICE in April and Central China Customer & Service Center, Shanghai in October.

In February 1997, KILEWS MARKETING (S.E.A)(SINGAPORE) was established to sell and provide service in South-Eastern Asia.

In January 1998, AC230V electric screwdriver has been approved the certification of CE from ITS. UK. which allowed KILEWS formally entering into the EUROPE markets. In June, acquired "the Chinese chang cheng Certification" to meet the demand of mainland China's widely market. In December, AC115V acquired UL approval to strengthen the competition and satisfy the American markets' demand.

KILEWS acquired three certifications in 1998 CE from ITS, UK. In January, Chinese Chang Cheng, China in June and UL of USA in December.

In April 1999, in order to satisfy increasing demand of EUROPE and UNITED STATES markets, the total capital has added to USD \$1,000,000 and increased the offshore staff at about 200 excluding 85 in Taiwan.

In August 2000, in order to further expand the CHINA market, KILEWS increased the capital to USD\$3,000,000 and established KILEWS Electric Tools (Shanghai) Co., Ltd. which manufacture electric screwdrivers for the needs of Chinese Market.

In September 2000, KILEWS acquired CE, CULUS certification on DC type 32V series electric screwdriver and Power Controller.

In December 2002, KILEWS Electric Tools (Shanghai) CO., LTD. was approved as ISO9001 manufacturer in China.

In January 2003, KILEWS products passed and acquired the CCC certificates by China CQC.

In January 2005, KILEWS Electric Tools (VIETNAM) CO., Ltd. was set up in Vietnam.

In October 2007, KILEWS new factory was set up in Taiwan and soon become one of biggest suppliers of electric screwdriver in the world.

In October 2008, the company held a grand opening of new plant in Taiwan for preparation of being a leading supplier of electric screwdrivers all over the world.

In January 2009, KILEWS self-researched, developed and produced brushless motor, entering the new generation of the small-size brushless motor. In March of the same year, KILEWS developed co-product for the brushless screwdriver application such as counter, low recoil force screwdriver...etc.

In 2010, Brushless technology was officially produced and promoted in Shanghai China and soon became the highest sale in the power tool market.

In 2011, KILEWS self-researched and developed automatic industrial brushless power torque screwdriver series. Focus on the convenience for the users and increase power saving, also design for energy conservation and environmental protection as well.

In 2012, Accomplished the development of cordless screwdriver series' product line, self-researched and developed

automatic/semi-automatic / impact series industrial brushless cordless screwdriver and light weight, high speed automatic cordless brushless screwdriver.

In October 2012, KILEWS SKD-BE Series won the National Brand of Yushan Award, the award for outstanding business class award for the best product.

In October 2015, KILEWS established KILEWS WEST INC.

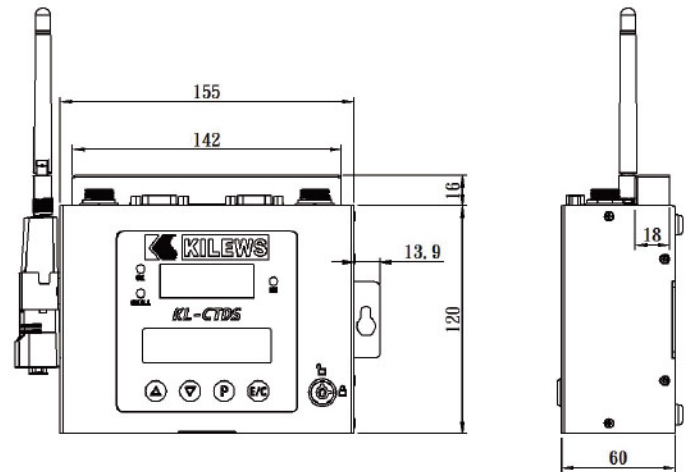
In October 2016, Develop and manufacture industrial 4.0 products, and become international leading brand.





KL-CTDS

External Dimension



KL-CTDS

Features

In the era of industry 4.0, assembly data collection and integration is becoming a must. In order to meet market demands, Kilews's latest invention KL-CTDS is able to display tightening torque, output tightening torque, output tightening status, storage tightening torque and together with error proof functions.

KL-CTDS is also able to prevent errors from tightening torque, tightening number of threads, and tightening time. With various I/O, KL-CTDS can be connected to your PLC and integrated with your automation equipment and output assembly status instantly to your sever or private cloud by ethernet or WIFI for traceability.



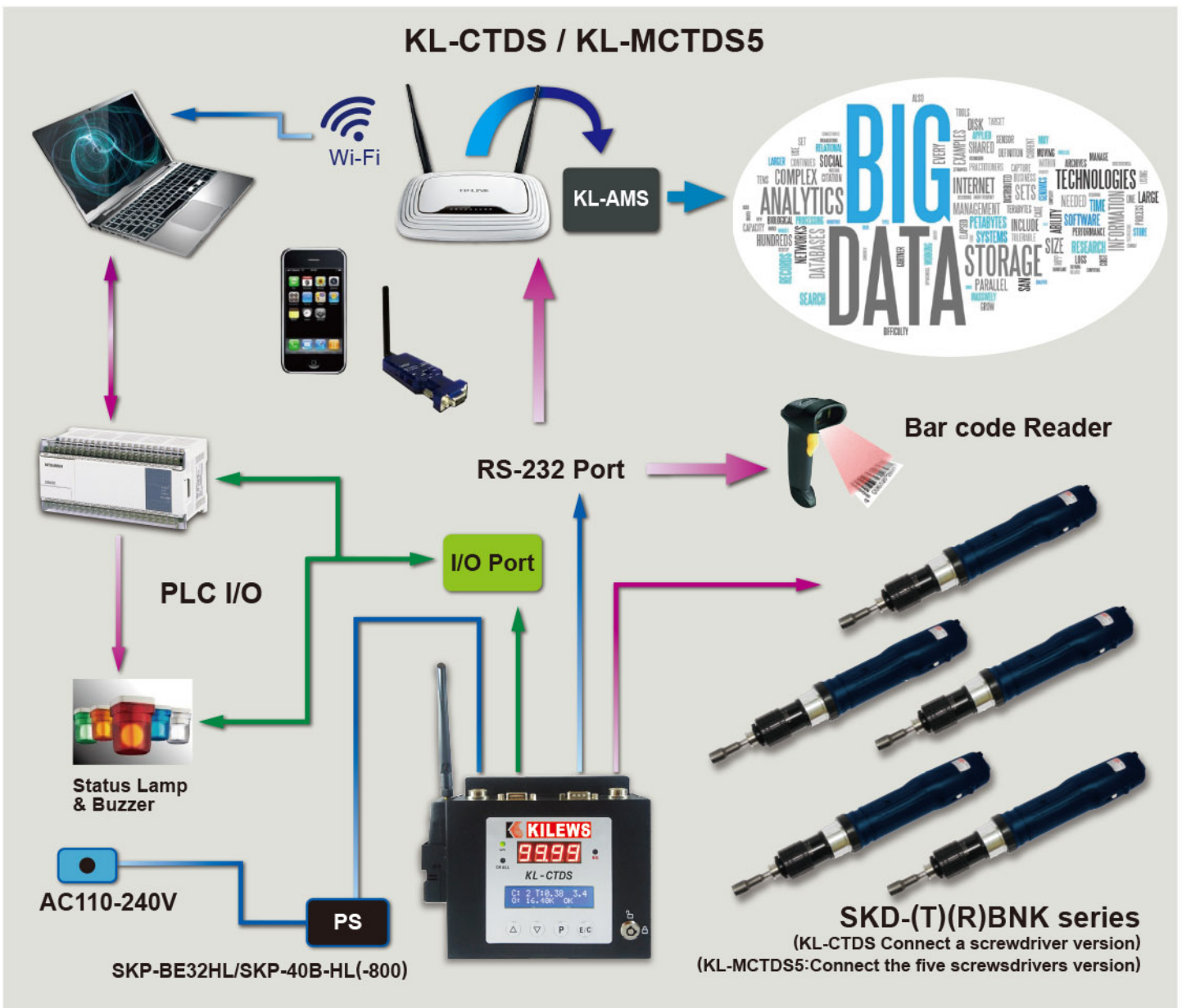
Specifications

Model	KL-CTDS
Input Voltage	DC 32V/ 40V
I/O Output Voltage	DC 24V 50mA/12V 100mA
Count	1-99
Count method	Count-up / Count-down
Continued induction switch(sensor)	ON/OFF
Sensor switch mode	ON(2 Sensors) / OFF(1 Sensor)
Slow start setting time	0~9.9 seconds
Slow start speed setting	L0:100%, 10%~90% L1~L9 Rated speed
Detection stop time	0.00~9.99 seconds
Detection torque value	0.0~550.0 kgf.cm
Detection screw thread number	0.0~999.9
External connection input	Forward / Reverse / Disable / Confirm
External comectron output	OK / NG / OK ALL / STOP
Serial interface	RS-232X2
Assembly management	KL-DAS / KL-AMS
external dimensions	155X120X60(mm)
Weight(g)	622.5g
Accessories	Power cableX1 KeyX2
Applicable Models	SKD-BNK200 series SKD-BNK500 series SKD-BNK800 series SKD-BNK900 series SKD-RBNK series SKD-TBNK series

Product Features

- 4 digits and 7 Segment of torque display
- 16 x 2 LCM display settings
- Password and key control to avoid operator adjusting settings.
- Counting preference set up (count up and count down)
- Slow start time 0.0-9.9 sec
- Slow start speed (10%~90%,L1~L9)
- Workpiece in place sensor (on/off)
- Set up fastening thread range
- I/O signal (Optocoupler)
- RS-232 interface for data output, storage and use with barcode scanner
- 99 data storage
- Set up fastening time range
- Set up fastening torque range
- Error code
- Auto learning
- Change torque unit
- Offset setting
- External start
- External reverse
- External disable tool
- External confirm

KILEWS KL-CTDS System Schematic (CTDS Apply for (T)(R) BNK Series Screwdriver)



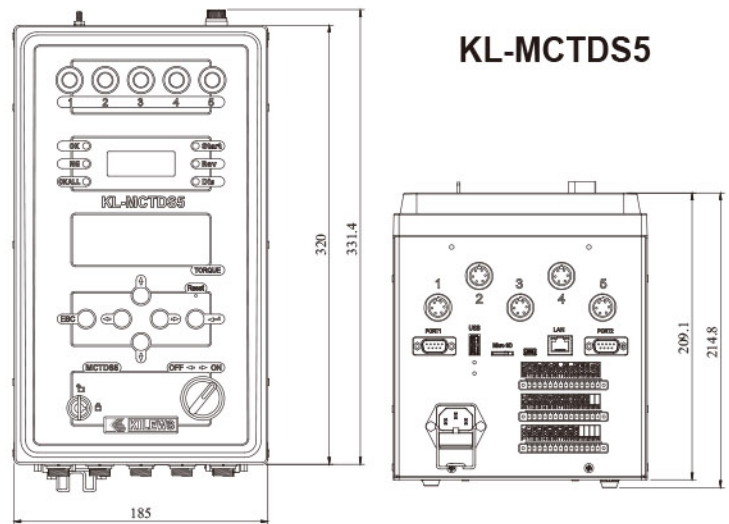
KILEWS VS INDUSTRY 4.0

Smart Industrial Torque Display

KL-MCTDS5



External Dimension



Features

- 4 digits and 7 Segment of torque display
- 24x4 LCM display settings
- Password and key control to avoid operator adjusting settings.
- Counting preference set up (count up and count down)
- Slow start time 0.0-9.9 sec
- Slow start speed (10%~90%,L1~L9)
- Workpiece in place sensor (on/off)
- Set up fastening thread range
- I/O signal (Optocoupler)
- RS-232 interface for data output, storage and use with barcode scanner
- 99 data storage
- Set up fastening time range
- Set up fastening torque range
- Error code
- Auto learning
- Change torque unit
- Offset setting
- External start
- External reverse
- External disable tool
- External confirm
- Slot for SD memory card
- Built-in power
- Ethernet
- 99 sequences set up

Specifications

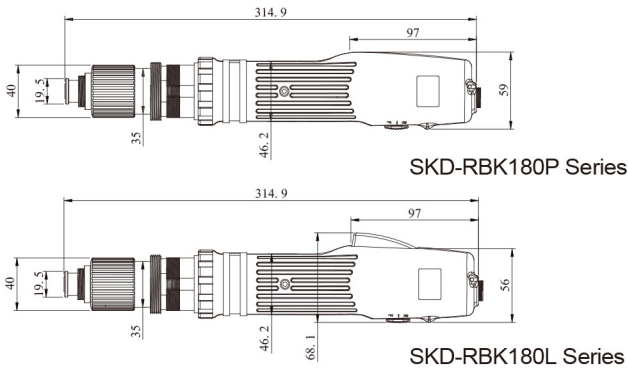
Model	KL-MCTDS5
Input Voltage	AC 100V ~ 240V
I/O Output Voltage	DC 24V 50mA / 12V 100mA
Count	1-99
Count method	Count-up / Count-down
Continued induction switch(sensor)	ON/OFF
Sensor switch mode	ON(2 Sensors) / OFF(1 Sensor)
Slow start setting time	0~9.9 seconds
Slow start speed setting	L0:100%,10%~90% L1~L9 Rated speed
Detection stop time	0.00~9.99 seconds
Detection torque value	0.0~550.0 kgf.cm
Detection screw thread number	0.0~999.9
External connection input	Forward / Reverse / Disable / Confirm
External comectron output	OK / NG / OK ALL / STOP
Serial interface	RS-232X2
Assembly management	KL-DAS / KL-AMS
external dimensions	185 x320x209(mm)
Weight(g)	4200g
Accessories	Power cableX1 KeyX2
Applicable Models	SKD-BNK200 series SKD-BNK500 series SKD-BNK800 series SKD-BNK900 series SKD-RBNK series SKD-TBNK series



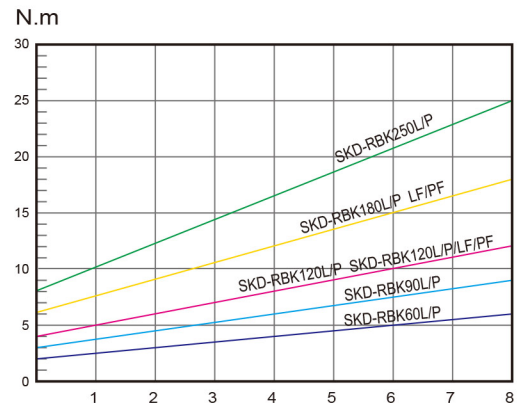
Features

- Whole series use brushless motor, no carbon pollution, and low noise motor operation. It is the best fit for assembling power torque products.
- Assemble large-sized LED/LCD panel and home appliances. Tools can be hung with spring balancer to lessen work fatigue.
- SKD-RBK series torque range can reach up to 2~50 N.m ; SKD-RBK series torque range can replace pneumatic screwdriver to avoid unstable torque due to the fluctuation of the air pressure. Also can prevent oil and noise pollution and achieve energy saving and more Eco-friendly.
- SKD-RBK series must be collaborated with Auxiliary Arm, which can increase stable torque output, torque precision, and easier for user to operate.
- Suitable for assembling large-scale work pieces in semi-automatic or full automatic assembly line. In particular, the most suitable for applications such as automotive industrial parts assembly, air conditioning, electricity, telecommunications, large appliances and medical equipment assembly.
- Highly mobility, easy to operate, stable torque, high efficiency. Motor can be free from fatigue under long-working hours.

External Dimension



Torque Range Reference Chart

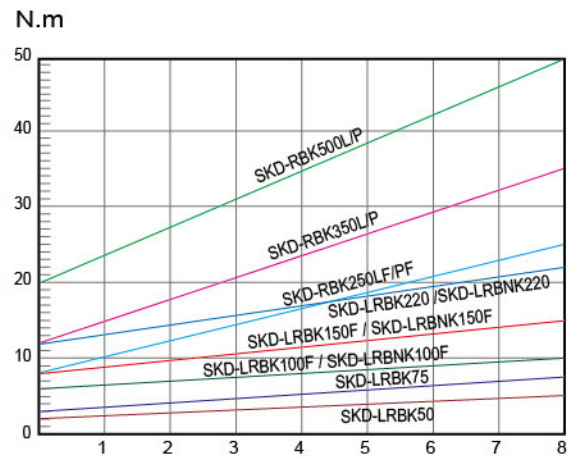


Specifications

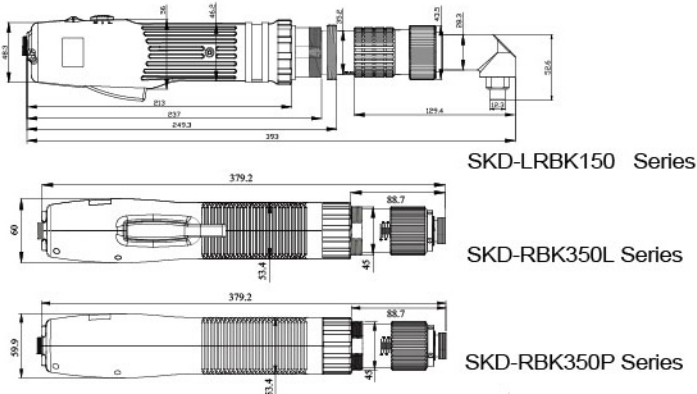
Model	SKD-RBK60L/P SKD-RBNK60L/P	SKD-RBK90L/P SKD-RBNK90L/P	SKD-RBK120L/P SKD-RBNK120L/P	SKD-RBK120LF/PF SKD-RBNK120LF/PF	SKD-RBK180L/P SKD-RBNK180L/P	SKD-RBK180LF/PF SKD-RBNK180LF/PF	SKD-RBK250L/P SKD-RBNK250L/P	
Input Voltage	DC40V							
Power Consumption	100W	120W	120W	150W	150W	150W	150W	
Torque(N.m)	2~6	3~9	4~12	4~12	6~18	6~18	8~25	
Repeatable Torque Accuracy(%)	±5%							
Torque Adjustment	Stepless							
Free Speed (r.p.m)	HI	1200	900	600	880	370	600	370
	LO	-	-	-	-	-	-	-
Screw Size Dia (mm)	Machine Screw	4.0~5.0	5.0~6.0	≤8	≤8	≤10	≤10	≤10
	Tapping Screw	≤4	≤4.5	≤6	≤6	≤8	≤8	≤8
Weight(kg)	1.25							
Length(mm)	315							
ESD(Anti-Static)	✓ (with black housing)							
CE	✓							
CCC	✓							
RoHS	✓							
Auxiliary Arm	✓							
Handle Grip	✓							
Power Controller	SKP-40B-HL-800(N)							
Bit Type								



Torque Range Reference Chart



External Dimension

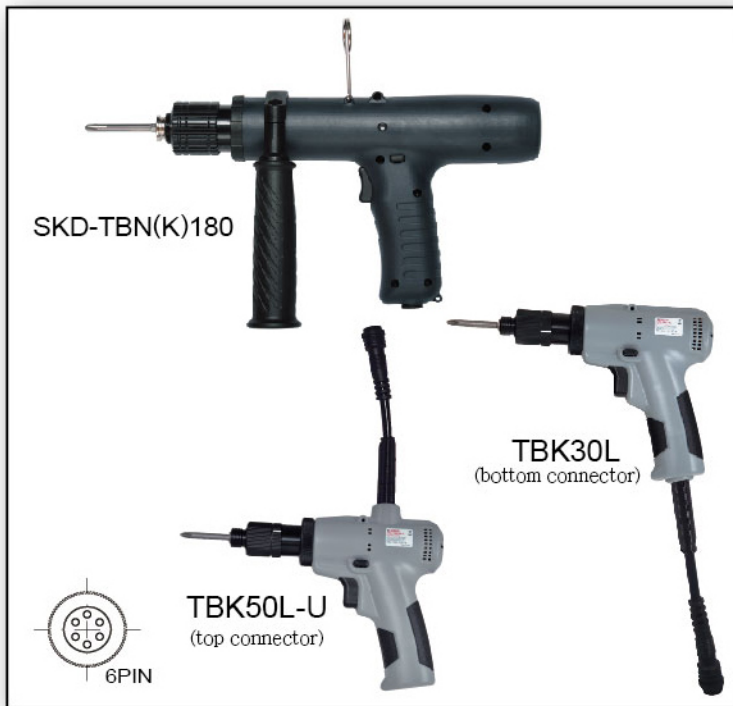


Accessories



Specifications

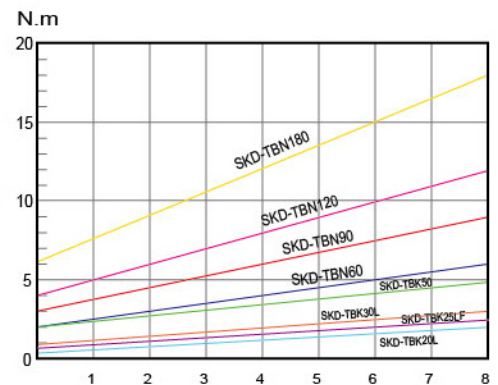
Model	SKD-RBK250L/P/PF SKD-RBNK250L/P/PF	SKD-RBK350L/P SKD-RBNK350L/P	SKD-RBK500L/P SKD-RBNK500L/P	SKD-LRBK50 SKD-LRBNK50	SKD-LRBK75 SKD-LRBNK75	SKD-LRBK100 SKD-LRBNK100	SKD-LRBK100F SKD-LRBNK100F	SKD-LRBK150F SKD-LRBNK150F	SKD-LRBK150 SKD-LRBNK150	SKD-LRBK220 SKD-LRBNK220	
Input Voltage	DC40V										
Power Consumption	150W	150W	150W	100W	120W	120W	150W	150W	150W	150W	
Torque(N.m)	8~25	12~35	20~50	2~5	3~7.5	6~10	6~10	8~15	8~15	12~22	
Repeatable Torque Accuracy(%)	±5%										
Torque Adjustment	Stepless										
Free Speed (r.p.m)	HI	550	350	200	1000	800	550	880	600	350	350
	LO	-	-	-	-	-	-	-	-	-	-
Screw Size Dia (mm)	Machine Screw	≤10	≤12	≤14	≤5	≤6	≤8	≤8	≤10	≤10	≤10
	Tapping Screw	≤8	≤10	≤12	≤4	≤4.5	≤6	≤6	≤8	≤8	≤8
Weight(kg)							2.5				
Length(mm)							393				
ESD(Anti-Static)	-										
CE	✓										
CCC	✓										
RoHS	✓										
Auxiliary Arm	✓										
Handle Grip	✓										
Power Controller	SKP-40B-HL-800(N)										
Bit Type											



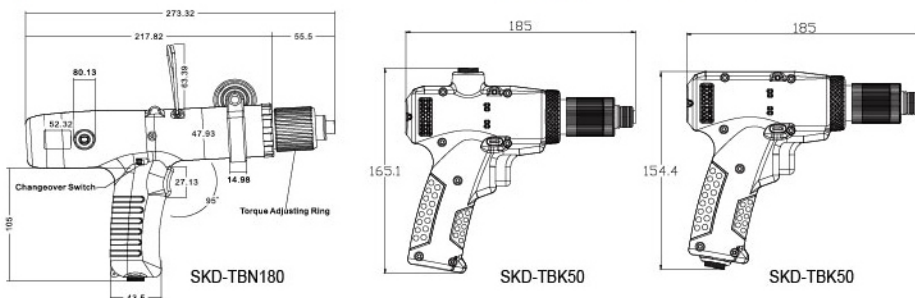
Features

- Whole series use brushless motor, no carbon pollution, and low noise motor operation. It is the best fit for assembling power torque products.
- Assemble large-sized LED/LCD panel and home appliances. Tools can be changed with spring balancer to lessen work fatigue.
- SKD-TBK(K) series torque range can reach up to 0.3-18 N.m. SKD-TBK(K) series torque range can replace pneumatic screwdriver to avoid unstable torque due to the fluctuation of the air pressure. Also can prevent oil and noise pollution and achieve energy saving and more Eco-friendly.
- SKD-TBK(K) series must be equipped with side handle, which can increase stable torque output, torque precision, and easier for use and operate.
- Suitable for assembling large-scale work pieces in semi-automatic or automatic assembly line. In particular, the most suitable for applications such as automotive industrial parts assembly, air conditioning, electricity, telecommunications, large appliances and medical equipment assembly.
- Highly mobility, easy to operate, stable torque, high efficiency. Man can be free from fatigue under long-working hours.

Torque Range Reference Chart



External Dimension



Specifications

Model	SKD-TBK20L(U) SKD-TBNK20L(U)	SKD-TBK25LF(U) SKD-TBNK25LF(U)	SKD-TBK30L(U) SKD-TBNK30L(U)	SKD-TBK50L(U) SKD-TBNK50L(U)	SKD-TBN60 SKD-TBNK60	SKD-TBN90 SKD-TBNK90	SKD-TBN120 SKD-TBNK120	SKD-TBN180 SKD-TBNK180
Input Voltage	DC40V							
Power Consumption	50W	50W	50W	50W	100W	120W	120W	200W
Torque(N.m)	0.3~2.0	0.8~2.5	0.8~3.0	2~5	2~6	3~9	4~12	6~18
Repeatable Torque Accuracy(%)	±3%				±5%			
Torque Adjustment	Stepless							
Free Speed (r.p.m)	HI 1200	2000	1200	700	1000	800	550	350
	LO -	-	-	-	-	-	-	-
Screw Size Dia (mm)	Machine Screw 2.3~3.5	2.6~4.0	2.6~4.0	4.0~5.0	4.0~5.0	5.0~6.0	≤8	≤10
	Tapping Screw 2.3~3.0	2.6~3.5	2.6~3.5	≤4	≤4	≤4.5	≤6	≤8
Weight(kg)	0.7				1.2			
Length(mm)	185X150				274X160			
ESD(Anti-Static)	-				-			
CE	✓				✓			
RoHS	✓				✓			
Auxiliary Arm	-				-			
Handle Grip	-				✓			
Power Controller	SKP-40B-HL(N)				SKP-40B-HL-800(N)			
Bit Type								

BRUSHLESS POWER TORQUE DC-TYPE AUTOMATIC TRIGGER AND PUSH START CLUTCH TYPE SERIES



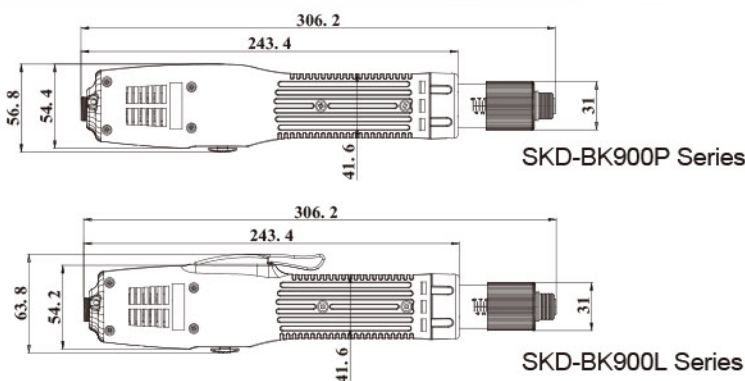
SKD-BK900 / SKD-BNK900 (Apply for torque display series)



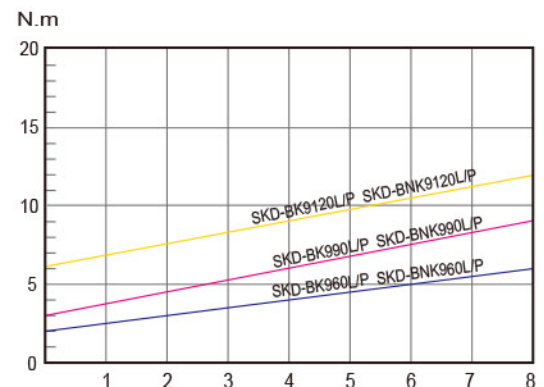
Features

- Whole series use brushless motor, no carbon pollution, and low noise motor operation. It is the best fit for assembling power torque products.
- Assemble large-sized LED/LCD panel and home appliances. Tools can be hung with spring balancer to lessen work fatigue.
- SKD-BK900 series torque range can reach up to 2-12 N.m ; SKD-BK900 series torque range can replace pneumatic screwdriver to avoid unstable torque due to the fluctuation of the air pressure. Also can prevent oil and noise pollution and achieve energy saving and more Eco-friendly.
- SKD-BK900 series can be equipped with side handle, or Auxiliary Arm, to increase the torque stability and accuracy
- Suitable for assembling large-scale work pieces in semi-automatic or full automatic assembly line. In particular, the most suitable for applications such as automotive industrial parts assembly, air conditioning, electricity, telecommunications, large appliances and medical equipment assembly.
- Highly mobility, easy to operate, stable torque, high efficiency. Motor can be free from fatigue under long-working hours.

External Dimension



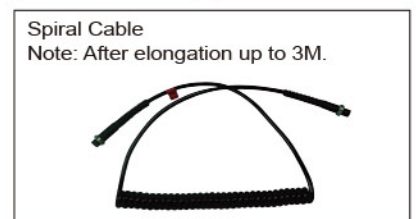
Torque Range Reference Chart



Specifications

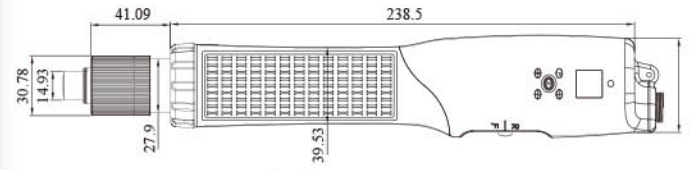
Model	SKD-BK960L/P SKD-BNK960L/P	SKD-BK960LF/PF	SKD-BK990L/P SKD-BNK990L/P	SKD-BK9120L/P SKD-BNK9120L/P
Input Voltage	DC40V			
Power Consumption	150W	150W	150W	150W
Torque(N.m)	2~6	2~6	3~9	6~12
Repeatable Torque Accuracy(%)	±5%			
Torque Adjustment	Stepless			
Free Speed (r.p.m)	HI 1000	2000	1000	880
	LO -	-	-	-
Screw Size Dia (mm)	Machine Screw	4.0~5.0	≤6	≤8
	Tapping Screw	≤4	≤4	≤6
Weight(kg)	1.03			
Length(mm)	306			
ESD(Anti-Static)	✓ (black housing)			
CE	✓			
RoHS	✓			
Auxiliary Arm	✓			
Handle Grip	✓			
Power Controller	SKP-40B-HL-800(N)			
Bit Type				

Accessories

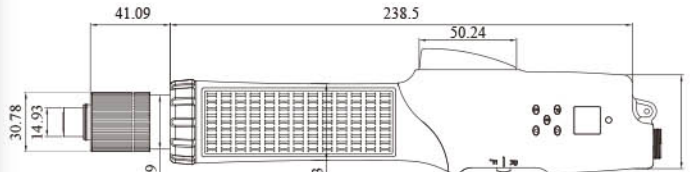




External Dimension



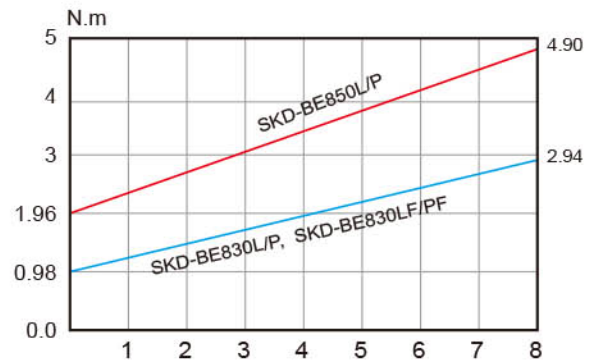
SKD-BE800P(6P)



SKD-BE800L(6P)

- Brushless motor, the perfect combination between screw counter and electric screwdriver, and most fit for operating in clean-room environment.
- Torque range from 10~50Kgf.cm is medium & small-sized screwdrivers. Widespread and extensively applied by users
- SKD-BE series is one compact of LED counter and electric screwdriver. Two-color housing, easy to operate, suitably used on production line and effectively control numbers of fastening screws and operation quality.
- Easy to set up, complete function, user can set up this counter according to needs of work and leave system automatically to inspect the precision of fastening screws.
- This system can set up Effective Count Number(SC), Automatic Zero(At), Start Detect Time(Lt), Stop Time(Ht), Double Confirm Time after Fastening(LL), Waiting Time between Two Screws. Professional designs for the needs of users.
- Automatic Learning can complete necessary time from start to fasten, let user confirm whether it is an ideal fastening value.
- Signal output by OK ALL/OK ONE/N.G. in the screwdrivers, open collector. The user can select another wire to connect PLC if necessary.
- If start time doesn't stop as over Ht time, that means stripped or wrong screw ; If start time stops before Lt time, that means screws stuck or wrong. This function can effectively determine whether screw fastening is right or wrong.
- After setting up screws fastening, shut-off can be confirmed just one time during pre-set time.

Torque Range Reference Chart



Specifications

Model		SKD-BE830L(6P)	SKD-BE830P(6P)	SKD-BE830LF(6P)	SKD-BE830PF(6P)	SKD-BE850L(6P)	SKD-BE850P(6P)
Input Voltage		DC40V					
Power Consumption		90W	90W	90W	90W	120W	120W
Torque	(kgf.cm)	10~30	10~30	10~30	10~30	20~50	20~50
	(Lbf.in)	8.67~26.02	8.67~26.02	8.67~26.02	8.67~26.02	17.35~43.37	17.35~43.37
	(N.m)	0.98~2.94	0.98~2.94	0.98~2.94	0.98~2.94	1.96~4.90	1.96~4.90
Repeatable Torque Accuracy(%)		±3%					
Torque Adjustment		Stepless					
Free Speed (r.p.m)	HI	1000	1000	2000	2000	1000	1000
	LO	—	—	—	—	—	—
Screw Size Dia (mm)	Machine Screw	2.6~4.0	2.6~4.0	2.6~4.0	2.6~4.0	4.5~5.0	4.5~5.0
	Tapping Screw	2.6~3.5	2.6~3.5	2.6~3.5	2.6~3.5	≤4	≤4
Weight(g)		820					
Length(mm)		294					
ESD(Anti-Static)		✓ (with black housing)					
CE		✓					
RoHS		✓					
Power Controller		SKP-40B-HL(N)					
Bit Type		A		B		B	

Accessories

Torque Fixing Ring KC-7C



Torque Adjuster KW-1



Suspension Rack KH-2



Spring Balancer KL-1200



Power Controller SKP-40B-HL(N)



Pistol Grip LG-12, PG-12



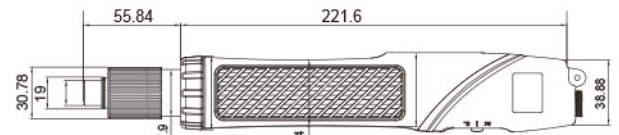
BRUSHLESS POWER TORQUE DC-TYPE AUTOMATIC WITH TRIGGER AND PUSH START CLUTCH TYPE SERIES



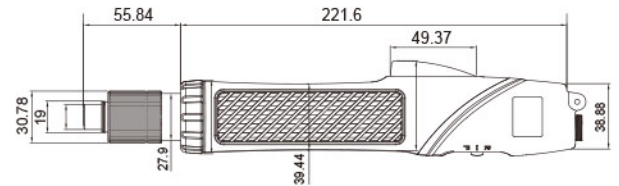
SKD-BN800 / SKD-BNK800 (Apply for torque display series)



External Dimension

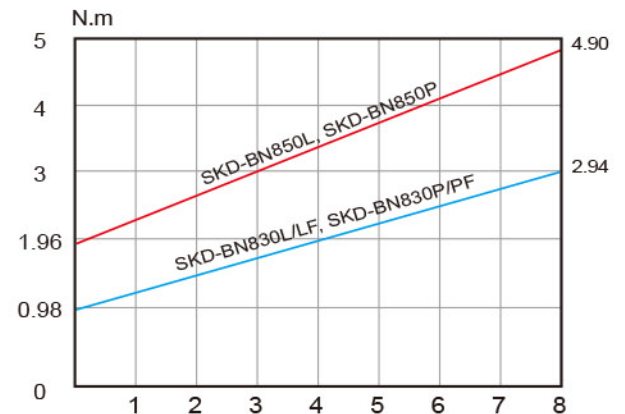


SKD-BN800P



SKD-BN800L

Torque Range Reference Chart



- Brushless feature is applicable in a clean-room environment. The output of torque is highly stable. It is not only a easy-operate equipment but also be operated continuously for a long period.
- One LED on the housing is to remind the operators that the screwdriver is connecting to the power controller.
- Besides, it is a non-carbon, low noise equipment and low voltage. There are variable torque's ranges can be selected : 30kgf.cm / 2,000r.p.m, and 50kgf.cm / 1,000r.p.m.
- The best choice when composing the vertical's internal parts and/or any large-size electric equipments, including home appliances, LED/LCD panels and etc.
- Optional accessories spring balancer hoist or pistol grip can be added for easy and safe operation.

Specifications

Model	SKD-BN830L SKD-BNK830L	SKD-BN830P SKD-BNK830P	SKD-BN830LF	SKD-BN830PF	SKD-BN850L SKD-BNK850L	SKD-BN850P SKD-BNK850P
Input Voltage	DC40V					
Power Consumption	90W	90W	90W	90W	120W	120W
Torque	(kgf.cm)	10~30	10~30	10~30	10~30	20~50
	(Lbf.in)	8.67~26.02	8.67~26.02	8.67~26.02	8.67~26.02	17.35~43.37
	(N.m)	0.98~2.94	0.98~2.94	0.98~2.94	0.98~2.94	1.96~4.90
Repeatable Torque Accuracy(%)	±3%					
Torque Adjustment	Stepless					
Free Speed (r.p.m)	HI	1000	1000	2000	2000	1000
	LO	-	-	-	-	-
Screw Size Dia (mm)	Machine Screw	2.6~4.0	2.6~4.0	2.6~4.0	2.6~4.0	4.0~5.0
	Tapping Screw	2.6~3.5	2.6~3.5	2.6~3.5	2.6~3.5	≤4
Weight(g)	800					
Length(mm)	278					
ESD(Anti-Static)	✓ (black housing)					
CE	✓					
CCC	✓					
RoHS	✓					
Power Controller	SKP-40B-HL(N)					
Bit Type	A		B		B	

Accessories



Introduction

SKP-BC40HL-800(N) V3.0

SKD-BN200 Series
SKD-BN500 Series
SKD-BN800 Series
SKD-RBK Series
SKD-TBN(K) Series
SKD-BK900 Series

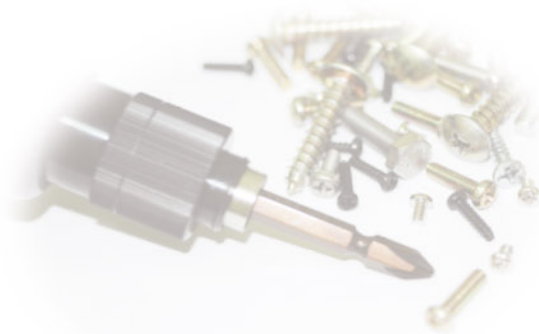
SKP-BC40HL(N) V3.0

SKD-BN200 Series
SKD-BN500 Series
SKD-BN800 Series



Features of SKP-BC40HL(N)(V3.0) / SKP-BC40HL-800(N)(V3.0)

- High / Low speed switch / Hi/Lo voltage switch protection function
- Slow start time (0.0-9.9 second)
- Slow start speed Level (35%-100% of normal speed, L0-L9)
- Target reached Confirm (enable / disable)
- Input / Output function control
- External start Input Control
- External reverse Input Control
- External enable Input Control
- External confirm Input Control
- Expanding 5 sets data memory
- Auto-Learning function for time monitoring
- Before tightening reverse
- After tightening reverse
- Counting mode (count up / count down)
- Signal output (OK 1/ OK ALL / N.G)
- Cancel NG signal (Use external Clear or Confirm button to cancel NG signal)
- Operation complete time
- Self locking when counter detect error (enable / disable)
- Sensor mode (Applications according to different operation use)
- Error code by monitoring
- Strong anti-interference capability



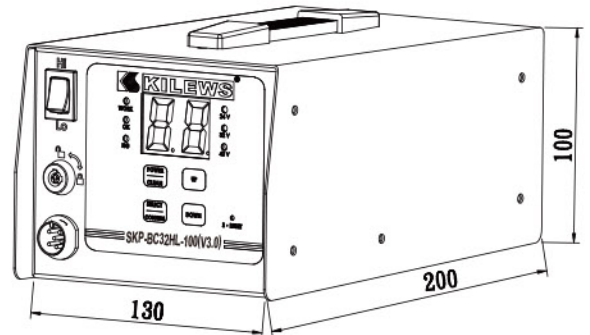
SCREW COUNTER (FOR BRUSHLESS SCREWDRIVERS)



SKP-BC40HL(N)V3.0 / SKP-BC40HL-800(N)V3.0 [Counter / Power Supply / Slow-Start]



External Dimension



Specifications

Model	SKP-BC40HL(N)	SKP-BC40HL-800(N)
Input Voltage	AC 100V~240V / 50HZ / 60HZ	AC 110V / 50HZ, 220V / 60HZ
Output Voltage	DC 40V / 32V / 24V 5A	DC 40V / 32V / 24V 9A
Power Consumption	200W	360W
Count	1~99	
Count method	Count-up / Count-down	
Reverse Resuming	ON / OFF	
Work with Sensor	ON / OFF	
GATE Sensor	ON(2 Sensors) / OFF(1 Sensor)	
Slow-start time adjustable	0~9.9 seconds	
Slow-start speed adjustable	LO:100%, 35%~85% L1~L9 Rated speed	
Running Time limit-LO	0.00~9.90 seconds	
Running Time limit-HI	0.0~9.9 seconds	
Reminder Mode	ON / OF / FF / EF with LED and buzzer	
Auto ZERO	ON / OFF	
External inputs	Forward / Reverse / Disable / Confirm / Sensor / Clear	
External outputs	OK / NG / OK ALL	
Screwdriver Control	HI / LO : Slow-Start	
Dimensions	247X130X100(mm)	
Weight(Kg)	2.4	
Accessories	Power cord X1 - Key X2	
Remark		
Applicable Models	SKD-BN200 SKD-BN500 SKD-BN800	FOR ALL SKD-BK SERIES (included RBK, TBN(K), BK900)

SKD-TBK L Series





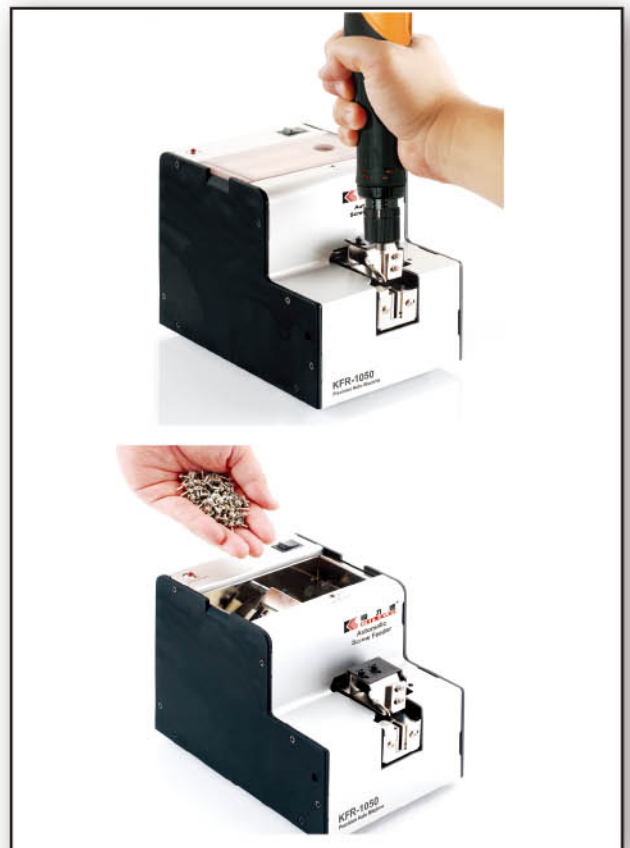
Prompt delivery and steady screw feeding are the important factors of a screw feeder. We have collected feedbacks from all brands users for their opinions to develop this screw feeder. We integrated our advantages with other brands and eliminated detriments that occurred on other brands. As the result, win situation is provided to both our distributors and customers. Please read operation manual before operating in order to achieve the max value of the screw feeder.

Features

- **WIDEST RANGE OF APPLICABLE SCREW SIZES :**
Between 1.0-5.0mm (Incl.: 1.0mm, 1.2mm, 1.4mm, 1.7mm, 2.0mm, 2.3mm, 2.6mm, 3.0mm, 3.5mm, 4.0mm, & 5.0mm,) 11 sizes.
- **MAX OF SCREWS LENGTH & HOPPER CAPACITY :**
Screw Length : Up to 19mm (under screw head)
Capacity of hopper : 200-220 c.c
- **APPLICABILITY OF SPECIAL SCREW TYPES :**
Screw Length Thread Diameter (1=1, 1<1)
Thickness of screw head 0.2mm
No jamming or failure occurred with these applicable types and affect productivity.
- **SIZE OF FEEDING RAIL IS ADJUSTABLE :**
Feeding rail can be pulled out for width adjusts to the applied sizes easily. Measurements for width adjusting can be in metric or imperial units.
- **SAVE PARTS COSTS & STOCK :**
KFR-1050 allows adjusting the width of feeding rail to serve 11 sizes screws, between 1.0mm to 5.0mm diameter. The flexibility prevents dealers from stocking up on quantities for different sizes, and reduces the cost on related accessories for users.
- **ADJUSTABLE VIBRATION INTENSITY :**
With vibration in small amplitude at high strength, it moves screws On rail to pick-up point in good order, no overlay or jamming to affect the speed of movement and productivity.
- **HUMANIZED MULTI PROGRAMMING CONTROL :**
 - *Individual drive system for feeding and vibrating operation.
 - *Setting for suitable stop time without interapt to operate.
 - *Equipped ground wire, socket & buzzer for operative safety and alarm signal.
 - *PCB controls for efficiencies of desired speed & timing on each operating step.
 - *Switching Adaptor allowed AC 100-240V power source for stable DC 15V output No influences and problems due to the different AC power source of factories locations.

Other functions

PCB designed with short circuit and over load protection.
Screw feeder and PCB grounding connection is also available.
Power On/Off buzzer alert and blinking LED indicator.



Specifications

Model Name & Number	KFR-1050 Automatic Screw Feeder
Size	182(L)X126(W)X147(H) mm
Weight	N.W. : Approx 2.17 Kgs (excluding switching adaptor)
Power Source	AC 100~240V
Switching Adaptor	DC 15V Switching Adaptor
Applicable Screw	From M1.0 to M5.0
Applicable Screw Length	Up to 19mm(under head)
Scoping Chamber Capacity	200~220 cc
Accessories (in package & box)	Allen Wrench (L Shaped 2.0 x 107 mm) X1 pc.
	Switching Adaptor x 1 Set.
	Accessory(front) (0.8 , 1.0 , 1.2 , 1.5 , 2.0 x 70 mm)X1 pc.
	Accessory(behind) (0.2 x 10 x 20 mm)X2 pcs (0.5 x 10 x 20 mm)X10 pcs.
	Stopper 2.0-5.0mmX1 pc.
Package Size	Instruction Manual
	Each Set/Box : 282(L)X142(W)X201(H)mm Each Carton : 450(L)X310(W)X435(H)mm
Package Weight (Including Machine)	Each Set/Box G.W : Approx 2.63 Kgs
	Each Carton G.W : Approx 16.53 Kgs(One Carton=6 Sets)

SCREW FEEDER (FOR VACUUM TYPE SCREWDRIVER AND AUTOMATION SYSTEM)



KFA-0830 / KFA-0850A(H)



**KFA-0850A
(VACUUM TYPE)**

Prompt delivery and steady screw feeding are the important factors of a screw feeder. We have collected feedbacks from all brands users for their opinions to develop this screw feeder. We integrated our advantages with other brands and eliminated detriments that occurred on other brands. As the result, win situation is provided to both our distributors and customers. Please read operation manual before operating in order to achieve the max value of the screw feeder.

Features

- **WIDEST RANGE OF APPLICABLE SCREW SIZES :**
Between 0.8~3.0mm (KFA-0830).
Between 1.2~5.0mm (KFA-0850).
- **APPLICABILITY OF SPECIAL SCREW TYPES :**
Screw Length : Thread Diameter (1=1, 1<1)
Thickness of screw head 0.2mm
No jamming or failure occurred with these applicable types and affect productivity.
- **BRUSHLESS MOTOR :**
Adopting durable made in Japan brushless motor.
- **ADJUSTABLE RAILWAY :**
High precision wire cut adjustable railway. Adjustable rail, screw size from 0.8mm up to 5.0mm.
- **HORIZONTAL LINEAR FEEDING :**
Horizontal linear feeding, adopting durable aluminum extruded rail.
Screws are carried on a horizontal track for smooth feeding.
- **ADOPTING MULTI-FUNCTIONAL :**
Adopting multi-functional smart PCB with material shortage alert and screw taking counting function in digital display. (Please contact our service center for detail information.)
- **SIGNAL OUTPUT FUNCTION :**
With screws in position signal output function.



**KFA-0830
(VACUUM TYPE)**



**KFA-0850H
(PICK UP TYPE)**

Other functions

PCB designed with short circuit and over load protection. Screw feeder and PCB grounding connection is also available. Power On/Off buzzer alert and blinking LED indicator.

Specifications

Model Name & Number	KFA-0830	KFA-0850A(H)
Size	182(L)X124(W)X146(H) mm	182(L)X124(W)X150(H) mm
Weight	3.0kg (w/o adapter)	3.1kg (w/o adapter)
Power Source	AC 100~240V	
Switching Adaptor	DC 12V Switching Adaptor	
Applicable Screw	From M0.8~M3.0	From M1.2~M5.0
Applicable Screw Length	≤15 mm	≤10 mm
Applicable Screw Dia.	≤7 mm	≤7 mm
Horizontal Delivery Speed	46~50 pcs/min (1.2~1.3 Sec)	42~90 pcs/min (0.7~1.5 Sec)
Feeding	Chamber Blanking	
Scooping Chamber Capacity	200~220 c.c	

KILEWS TORQUE METERS

KTM-150, KTM-250, KTM-1000



● The torque meters are directly produced in Japan, authorized by Kilews Industrial Co., Ltd. by ODM. Each product will be provided with an Adjustment Certificate and one year Warranty in normal using. ✖Take Note! These measuring instruments could not be applied in testing the pneumatic screwdriver products and prohibited in measuring the torque exceeding maximum measuring range of torque meters.

KTM-150, KTM-250, KTM-1000

- LED can identify the test range of torque setting by needed user. If the result is not complying to torque range setting, light will be warned.
- USB connector is only used for data output ; it is convenient for user to work with computer.
- Auto-zero can be selected and zero reset becomes unnecessary for user.
- Automatically test values about maximum, minimum and mean.
- ✖Products are suitable for shut off type screwdriver only.

Specifications

Model		KTM-1000	KTM-250	KTM-150
Measuring Ranges	(kgf.cm)	50~1000	3.0~250.0	1.5~150.0
	(Lbf.in)	45~885	3.0~217.0	1.5~130.0
	(N.m)	5~100	0.30~25.00	0.15~15.0
Accuracy		+/- 0.5%		
Power Supply		3.7V, 4400mAH	4.8VDC (Ni-MH chargeable battery 1.2VX4 cell 1650mAh)	
Charging Time		2 hours	From empty -3 hours	
Operation Time		4 hours(non stop)	About 12 hours	
Battery Life		Chargeable for 300 times or more. However, it varies depending on operating conditions.		
Size(mm)		229(W)X102(D)X80(H)	160(W)X210(D)X45(H)	230(W)X125(D)X65(H)
Weight(kg)		2.7	2.0	1.8
Exclusive Charger		Input : AC100V~240V 50/60Hz Output : DC5V 12A	Input : AC100V~240V 50/60Hz	Output : DC12V 500mA
Accessory		Torque measuring adaptorX1 SJ-1000	Torque measuring adaptorX1 AJ-250	Torque measuring adaptorX3 AJ-150 / AJ-50 / AJ-15K

ACCESSORIES

Auxiliary Arm Series



KP-AUXA, KP-AUX1T



Auxiliary Arm

KP-AUXA, KP-AUX1T

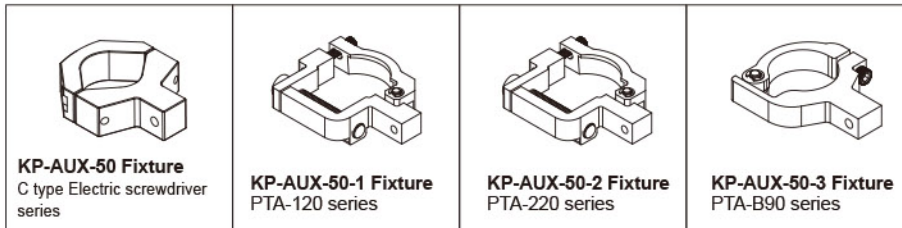
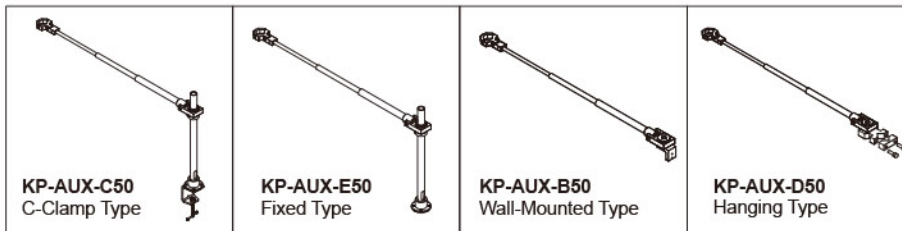
- Provide with the rocker arm , enable to revolve on 360 degrees.
- Main shaft can be extended to maximum 830mm
- Power arm inside includes nitrogen gas stick , allow user to grab the arm easily, automatic lift up to position after finishing the work .
- Easy to assemble and Disassemble.
- Optional accessory KP-VA1, KP-VAR(90 degree adapter) is available for user to Adjust angle in accordance with the object to be fastened.



KP-VAR, KP-VA1

Model	KP-AUXA	KP-AUXA-1	KP-AUXA-2	KP-AUX1T-B	KP-AUXA-500
Description	Cantilevered	Cantilevered	Cantilevered	Cantilevered	Cantilevered
Reach	50mm~830mm	50mm~830mm	50mm~830mm	50mm~830mm	50mm~830mm
Gas Stick	25kg	30kg	25kg	25kg	35kg
Applicable Models	SKD-RBK Series Not included RBK350/500 Series	SKD-RBK Series	SKD-BK900 Series	SKD-BN800 Series SKD-BE800 Series	SKD-RBK350 Series SKD-RBK500 Series
Remark	—	KP-VAR Optional Accessories	—	KP-VA1 Optional Accessories	KP-VA2 Optional Accessories

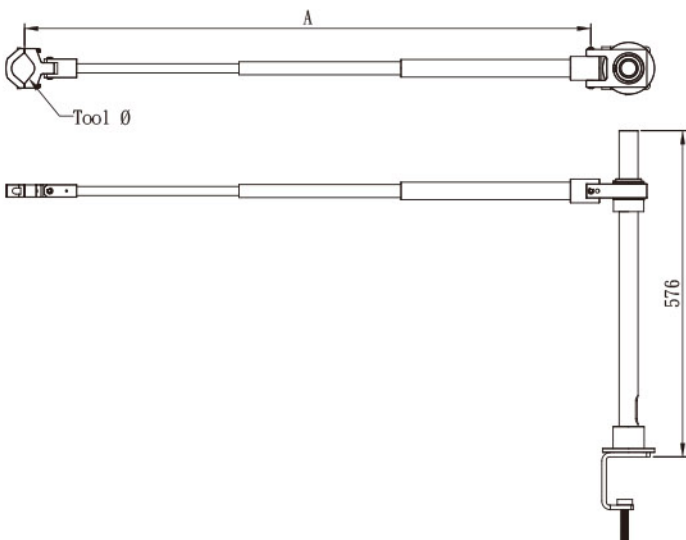
※The auxiliary arm can be used only with Kilews electric screwdrivers.



Specifications

Model No.	Max torque (Nm)	A(mini/maxi) cm	Tool Ø diameter(mm)
KP-AUX-C50-1000	50	43~100	38.5~52
KP-AUX-C50-1200	50	50~120	38.5~52
KP-AUX-E50-1000	50	43~100	38.5~52
KP-AUX-E50-1200	50	50~120	38.5~52
KP-AUX-B50-1000	50	43~100	38.5~52
KP-AUX-B50-1200	50	50~120	38.5~52
KP-AUX-D50-1000	50	43~100	38.5~52
KP-AUX-D50-1200	50	50~120	38.5~52

※Please inform which screwdriver series will be with the auxiliary arm before releasing order.





Screwdriver I/O Signal Control Box (For Manual / PLC)

KL-SCBSN

- Slow Start time (0.0-9.9 second)
- Slow start Speed Level (30%-100% of normal speed, L0-L9)
- Operation Time (0.0-9.9 second)
- Target Reached Confirm (enable / disable)
- Brake Signal Hold Time (start off / next start off)
- External Start Input Control
- External Reverse Input Control
- Signal output (Start, Stop, Reverse)



(R)(T)BK SCREWDRIVER



KL-SCBSN



SKP-40B-HL(N)(6P)
BN POWER CONTROLLER

SKP-40B-HL-800(N)
(R)(T)BK POWER CONTROLLER



Slow Start Control Module

KL-SSBN

- BYPASS: Automatically disable slow start function when screwdriver in reverse rotation, easier to reverse screws.
- Adjustable slow start speed from 30% to 100% of normal speed, Slow start level setting from L1-L2-L3-...-L9-L0
- Provide output start signal/ break signal/ forward and reverse signal with MOS relay switch
- Compatible with KILEWS Brushless DC SKD-BN / BK series
- Slow start time can be set from 0.1 s up to 9.9 second
- Dimension : 58x95x35mm (LxWxH)

90 Degree Attachment

Model	90 Degree Attachment Applicable Model
KL-1	SKD-BN830L/LF, SKD-BN850L, ※only for B type
KL-3	Suitable for all RBK series except SKD-RBK350L, SKD-RBK500L, Applying for B type or W type.

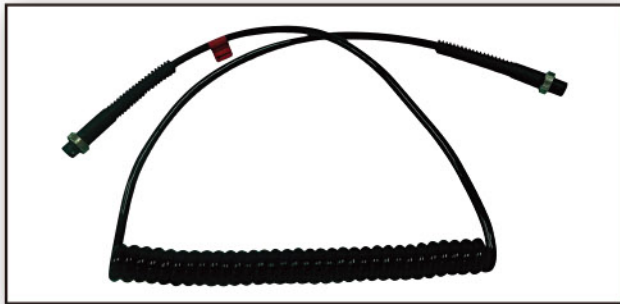
※ Only for "L" trigger start screwdrivers

90 Degree Attachment KL-1



KL-3



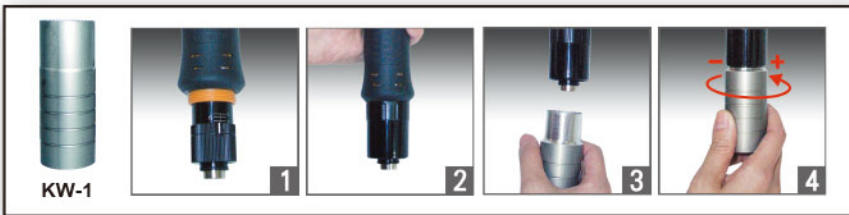


Spiral Cables

Applicable Models

Supplying spiral cable for all of KILEWS screwdriver with 4 pin or 6 pin. (B100 and BN200 series are not included.)

Note : Cable can be extended up to 3M



Torque Adjuster

Applicable Models

KW-1

SKD-BN800 series
 SKD-BE800 series



Suspension Rack

Model	Applicable Models
KH-6	SKD-BN800 series SKD-BK900 series
KH-7	SKD-TBN series SKD-RBK series

● The new Suspension Rack series can be fixed on the table or wall. Position angle of the rack can be adjusted for operator easier to pick up and restore the screwdriver.

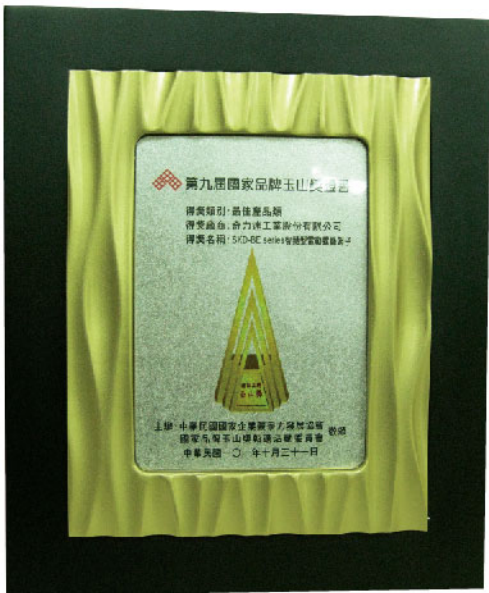


Spring Balancer

Model	Applicable Models
KL-1200 0.6~1.5kg	USE FOR BN800 /BE800 series
KL-2000 1.0~2.0kg	USE FOR ALL MODELS



The group photo of President of Taiwan Mr. Ma Ying-jeou had an interview with the 9th National Yushan Award of chairmen' s award winners on January 2012



In 2012, KILEWS won the National Brand of Yushan Award, the award for outstanding business class award for the best product.



Taiwantrade
Supplier
Business
Information
Verification



www.tuv.com
ID: 000040735



KILEWS INDUSTRIAL CO., LTD
<http://www.kilews.com.tw>
EN2017.09R1