



# Cordless Screwdriver

## Design for Industrial Production Line





KILEWS INDUSTRIAL CO., LTD. was established in July 1984. The company began with USD\$1,000,000 investment and six staff. We created the KILEWS as our trademark with the most professional techniques for making automatic electric screwdrivers to the world.

**In 1988**, our investment grew to USD\$170,000 and we decided to expand international markets, especially for Asia region.

**In 1990**, based on increasing demand for KOREA market, KILEWS set up the electric screwdriver assembling plant in INCHON, KOREA.

**In 1992**, with the approval of Investment Commission, MOEA, the company invested US\$200,000 to TIANJIN TAIWEI INTERNATIONAL TRADING CO., LTD. for international trading and Northern China Customer Service Center of KILEWS.

**In July 1994**, KILEWS (CHINA) CUSTOMER SERVICE CENTER was established in SHEN-ZHEN, KUAN-CHOU of China and KILEWS (H.K.) TRADING COMPANY in December in Hong Kong.

**In January 1995**, KILEWS completed building a new plant in Hsin-Chuang Dist., New Taipei City, Taiwan, R.O.C., the capital was increased to USD\$350,000 at the same time with 46 staff through professional automatic equipment to sell our products all over the world.

**In 1996**, KILEWS established two China offices- TUNG-GUAN OFFICE in April and Central China Customer & Service Center, Shanghai in October.

**In February 1997**, KILEWS MARKETING (S.E.A)(SINGAPORE) was established to sell and provide service in South –Eastern Asia.

**In January 1998**, AC230V electric screwdriver has been approved the certification of CE from ITS. UK. which allowed KILEWS formally entering into the EUROPE markets. In June, acquired “the Chinese chang cheng Certification” to meet the demand of mainland China’s widely market.

In December, AC115V acquired UL approval to strengthen the competition and satisfy the American markets' demand.

KILEWS acquired three certifications in 1998 CE from ITS, UK. In January, Chinese Chang Cheng, China in June and UL of USA in December.

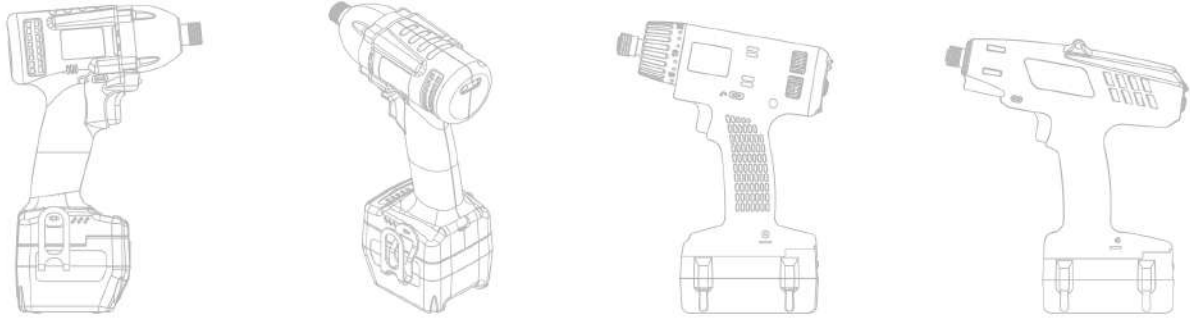
**In April 1999**, in order to satisfy increasing demand of EUROPE and UNITED STATES markets, the total capital has added to USD \$1,000,000 and increased the offshore staff at about 200 excluding 85 in Taiwan.

**In August 2000**, in order to further expand the CHINA market, KILEWS increased the capital to USD\$3,000,000 and established KILEWS Electric Tools (Shanghai) Co., Ltd. which manufacture electric screwdrivers for the needs of Chinese Market.

**In September 2000**, KILEWS acquired CE, CULUS certification on DC type 32V series electric screwdriver and Power Controller.







**In December 2002**, KILEWS Electric Tools (Shanghai) CO., LTD. was approved as ISO9001 manufacturer in China.

**In January 2003**, KILEWS products passed and acquired the CCC certificates by China CQC.

**In January 2005**, KILEWS Electric Tools (VIETNAM) CO., Ltd. was set up in Vietnam.

**In October 2007**, KILEWS new factory was set up in Taiwan and soon become one of biggest suppliers of electric screwdriver in the world.

**In October 2008**, the company held a grand opening of new plant in Taiwan for preparation of being a leading supplier of electric screwdrivers all over the world.

**In January 2009**, KILEWS self-researched, developed and produced brushless motor, entering the new generation of the small-size brushless motor. In March of the same year, KILEWS developed co-product for the brushless screwdriver application such as counter, low recoil force screwdriver....etc.

**In 2010**, Brushless technology was officially produced and promoted in Shanghai China and soon became the highest sale in the power tool market.

**In 2011**, KILEWS self-researched and developed automatic industrial brushless power torque screwdriver series. Focus on the convenience for the users and increase power saving, also design for energy conservation and environmental protection as well.

**In 2012**, Accomplished the development of cordless screwdriver series' product line, self-researched and developed automatic/semi-automatic / impact series industrial brushless cordless screwdriver and light weight, high speed automatic cordless brushless screwdriver.

**In October 2012**, KILEWS SKD-BE Series won the National Brand of Yushan Award, the award for outstanding business class award for the best product.

**In October 2015**, KILEWS established KILEWS WEST INC.

**In October 2016**, Develop and manufacture industrial 4.0 products, and become international leading brand.

**In October 2017**, Smart Torque Display Tool System won 2017 Taiwan Excellence Award in October.

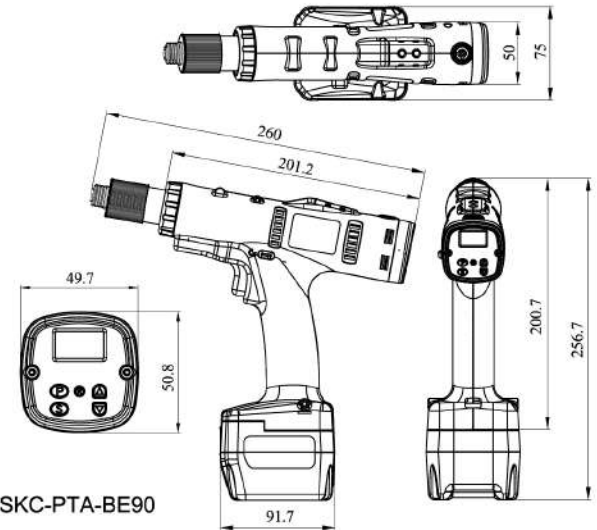
**In October 2018**, Industrial Smart Counting Controller System, Smart Torque Display Electric Screwdriver series, DC built-in counter brushless electric screwdriver series and DC Micro Torque Brushless Screwdriver series won 2018 Taiwan Excellence Award.



# KILEWS® AUTOMATIC INDUSTRIAL CORDLESS WITH COUNTER BRUSHLESS MEDIUM / LOW TORQUE BATTERY SCREWDRIVERS SERIES SKC-PTA-BE Series



## External Dimension



## Product Features

1. SKC-PTA-BE series
  - a. Built in error proof function
    - NG / OK / OKALL
    - screw list
    - screw count
    - Battery capacity
    - Connection status
    - Driver lock
  - b. Display screw tightening status by LED and LCD
  - c. I/O signals to PLC by KL-WSCBSN
  - d. Input signal to control driver by PLC

## Function Setting

- A. Screw list
- B. Screw count
- C. OK ALL signal time
- D. Maximum fastening time
- E. Minimum fastening time
- F. Driver lock when error occurred
- G. Auto stop after batch complete
- H. Fastening speed and time

## Specifications

Model	SKC-PTA-BE120	SKC-PTA-BE90	SKC-PTA-BE50F
Input Voltage	18V		
Torque (N.m)	Hard Joint	3~9	2~5
	Soft Joint	3~7.2	2~4
Repeatable Torque Accuracy	±3% (torque test in scale 4)		
Torque Adjustment	External Stepless		
Free Speed (r.p.m) ±10%	260~880	300~1000	660~2200
Weight (kg)	1.2 (Without Battery)		
Size (mm)	260X200 (LxH Without Battery)		
Applicable Battery	SKC-LB1820B		
Applicable Charge Station	SKC-P80W-D		
Applicable Torque Meter	KTM-150		
Applicable Bit Type			

\* \* Free load speed will be fixed when battery volume is more than 17V (17~21V)

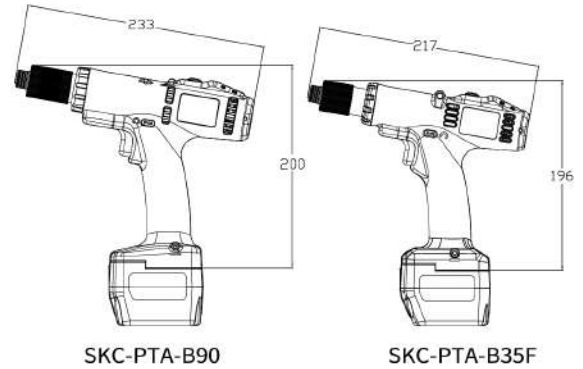


# AUTOMATIC INDUSTRIAL CORDLESS BRUSHLESS MEDIUM / LOW TORQUE BATTERY SCREWDRIVERS SERIES

## SKC-PTA-B Series



### External Dimension



### Product Features

- High performance brushless motor with constant speed and 2 years warranty.
- External torque adjustment and low recoil design.
- User-friendly design such as LED illumination and 10 degrees elevation design.
- The cordless battery screwdriver has built-in indicating light to indicate the fastening procedure. The green LED will light up and give a short beep for every fastening screw. Conversely, the red LED will light up and give a long beep if the screw is fastened incorrectly or NG.
- Adopting Japanese high performance Li-ion (Li-Mn) battery which has longest standby time and lifetime.
- Users can select HI/LO speed via the electric switch to meet the operation requirement.
- In order to extend battery operating time, the cordless battery screwdriver will turn to sleep mode automatically when it idled over 3 seconds. Sleep mode helps to save electricity and extend battery life time.
- SKC-PTA-B120/B90 output stronger torque, therefor include with side pistol grip to maintain operating security.

### Torque Identification Ring



### Specifications

Model	SKC-PTA-B120	SKC-PTA-B90	SKC-PTA-B50F	SKC-PTA-B60	SKC-PTA-B35	SKC-PTA-B35F	
Input Voltage	18V						
Torque (N.m)	Hard Joint	6~12	3~9	2~5	2~6	1~3.5	1~3.5
	Soft Joint	6~9.6	3~7.2	2~4	2~4.8	1~2.8	1~2.8
Repeatable Torque Accuracy	±3% (torque test in scale 4 )						
Torque Adjustment	External Stepless						
Free Speed (r.p.m) ±10%	HI	880	1000	2200	1000	1000	2000
	LO	570	650	-	650	650	-
Weight (kg)	1.1 (Without Battery)			0.98 (Without Battery)			
Size (mm)	233x200 (LxH Without Battery)			217x196 (LxH Without Battery)			
Applicable Battery	SKC-LB1820B						
Applicable Charge Station	SKC-P80W-D						
Applicable Torque Meter	KTM-150						
Applicable Bit Type							

\*\* Free load speed will be fixed when battery volume is more than 17V (17~21V)

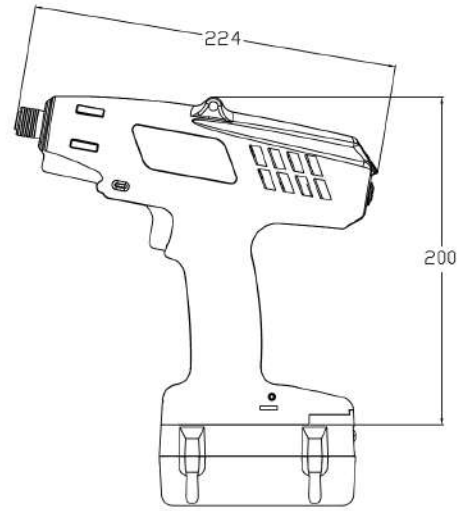
# KILEWS® AUTOMATIC INDUSTRIAL CORDLESS BRUSHLESS HIGH TORQUE BATTERY SCREWDRIVERS SERIES SKC-PTA Series



## Product Features

- The high power brushless motor was researched, developed and produced by Kilews, with 2 years warranty.
- The best choice of industrial assembly tool which can set the maximum torque up to 22 N.m, and the repeatable torque accuracy within ±3%.
- Adopting Japanese high performance Li-ion (Li-Mn) battery which has longest standby time and lifetime.
- The cordless battery screwdriver has beep alarm warning when the battery power capacity is low. The red LED will flicker when 20% left of battery power capacity and light up continuously when 10% left of battery power capacity. User can be reminded to replace the battery by the LED warning light.
- The cordless battery screwdriver has built-in indicating light to indicate the fasten procedure during operation. The green LED will light up and give a short beep for every fastening screw. Conversely, the red LED will light up and give a long beep if the screw is fastened incorrectly or NG.
- LED illumination, LED will light up while screwdriver is operating to help user to see the fastening object status and to make sure the screws are aimed to exact positions.
- Users can select HI/LO speed via the electrical switch to meet the operation requirement.
- In order to hold the cordless battery screwdriver comfortably, the shape is designed to be 10 degrees elevation and balanced as an excellent ergonomic design.
- Torque identification rings are attached to distinguish the torque with different colors after the user adjusted the torque.
- In order to extend battery operating time, the cordless battery screwdriver will turn to sleep mode automatically when it idled over 3 seconds. Sleep mode helps to save power and extend battery life time.
- Due to the strong fastening torque, we have also included side pistol grip to maintain operating security.

## External Dimension



SKC-PTA-150

## Torque Identification Ring



## Specifications

Model		SKC-PTA-220	SKC-PTA-150
Input Voltage		18V	
Torque (N.m)	Hard Joint	8~22	6~15
	Soft Joint	8~17.6	6~12
Repeatable Torque Accuracy		±3%	
Torque Adjustment		Internal Stepless	
Free Speed (r.p.m) ±10%	HI	350	600
	LO	200	380
Weight (kg)		1.2 (Without Battery)	
Size (mm)		224X200 (LXH Without Battery)	
Applicable Battery		SKC-LB1840	
Applicable Charge Station		SKC-P120W / SKC-P80W / SKC-80W	
Applicable Torque Meter		KTM-250	
Applicable Bit Type		 B HEX 6.35mm(No.3)      W 3/8"sq	

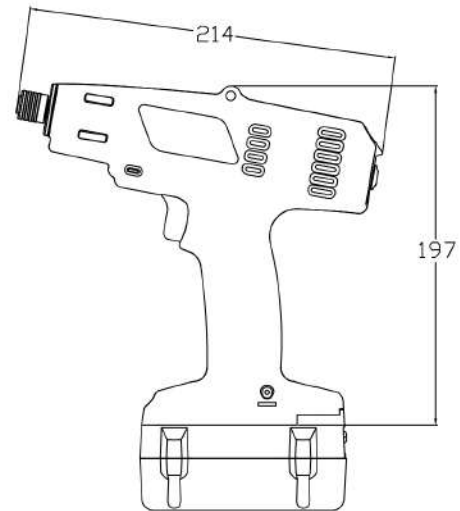
\* \* Free load speed will be fixed when battery volume is more than 17V (17~21V)



**AUTOMATIC INDUSTRIAL CORDLESS  
BRUSHLESS MEDIUM TORQUE BATTERY SCREWDRIVERS SERIES**  
SKC-PTA Series

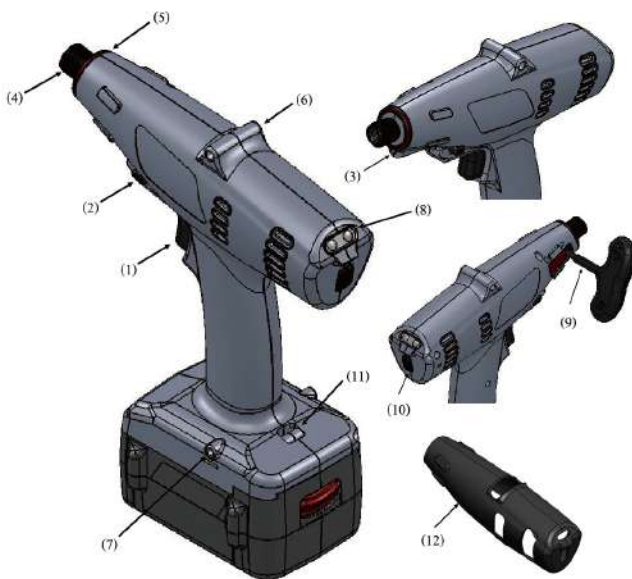


**External Dimension**



SKC-PTA-120

**Function / Operating Introduction**



**Torque Identification Ring**



**Specifications**

Model		SKC-PTA-120	SKC-PTA-80
Input Voltage		18V	
Torque (N.m)	Hard Joint	5~12	4~8
	Soft Joint	5~9.6	4~6.4
Repeatable Torque Accuracy		±3%	
Torque Adjustment		Internal Stepless	
Free Speed (r.p.m) ±10%	HI	720	1200
	LO	450	780
Weight (kg)		1.0 (Without Battery)	
Size (mm)		214x197 (LxH Without Battery)	
Applicable Battery		SKC-LB1820 / SKC-LB1840	
Applicable Charge Station		SKC-P120W / SKC-P80W / SKC-80W	
Applicable Torque Meter		KTM-150	
Applicable Bit Type		 B HEX 6.35mm(No.3)      W 3/8"sq	

**Function Name Table**

No.	Description	No.	Description
(1)	Trigger Switch	(7)	S Waist Hook
(2)	Forward/Reverse Lever	(8)	Indication Light
(3)	LED Light	(9)	Torque Wrench
(4)	Bit Sleeve	(10)	Speed Adjustment
(5)	Torque Identification Ring	(11)	Wrist Strap Hole
(6)	Driver Hook Hole	(12)	Slip Resistant Soft Cover

\* \* Free load speed will be fixed when battery volume is more than 17V (17~21V)



# AUTOMATIC INDUSTRIAL CORDLESS ANGLE TYPE BRUSHLESS HIGH TORQUE BATTERY SCREWDRIVERS SERIES SKC-PTA-L Series



## External Dimension



## Specifications

Model	SKC-PTA-L150 Series				SKC-PTA-L300 Series			SKC-PTA-L600 Series		
	SKC-PTA-L50F	SKC-PTA-L70	SKC-PTA-L120	SKC-PTA-L150	SKC-PTA-L80F	SKC-PTA-L150F	SKC-PTA-L300	SKC-PTA-L450	SKC-PTA-L600	
Input Voltage	18V									
Torque (N.m)	Hard Joint	2~5	2.5~7	6~12	8~15	3~8	8~15	12~30	15~45	25~60
	Soft Joint	2~4	2.5~5.6	6~9.6	8~12	3~6.4	8~12	12~24	15~36	25~48
Repeatable Torque Accuracy	±5%									
Torque Adjustment	Internal Stepless									
Free Speed (r.p.m) ±10%	HI	1200	850	550	350	1200	850	420	200	200
	LO	800	550	350	220	800	550	270	130	130
Weight (kg)	1.25 (Without Battery)		1.5 (Without Battery)		1.85 (Without Battery)		1.9 (Without Battery)		2.85 (Without Battery)	
Length (mm)	400 (Without Battery)		415 (Without Battery)		440 (Without Battery)		461 (Without Battery)		530 (Without Battery)	
Applicable Battery	SKC-LB1820B					SKC-LB1820C			SKC-LB1840	
Applicable Charge Station	SKC-P80W-D					SKC-P80W-D			SKC-P120W / P80W / 80W	
Applicable Torque Meter	KTM-150			KTM-250	KTM-150	KTM-250	KTM-1000			
Applicable Bit Type										

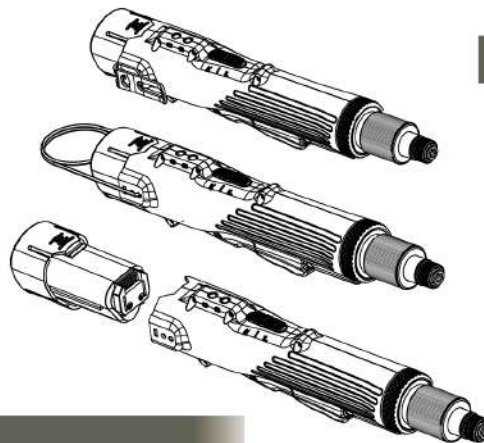
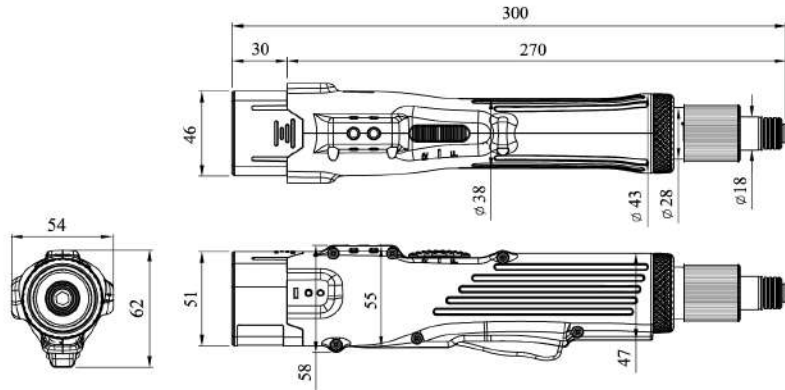
\*\* Free load speed will be fixed when battery volume is more than 17V (17~21V)



# AUTOMATIC INDUSTRIAL CORDLESS BRUSHLESS LOW TORQUE BATTERY SCREWDRIVERS SERIES SKC-PTA-BS Series



## External Dimension



## Accessories

### 90 Degree Attachment



KL-1SA

KL-1SB

## Product Features

- The high power brushless motor was researched, developed and produced by Kilews, with 2 years warranty.
- The best choice of industrial assembly tool which can set the maximum torque up to 4.5 N.m, and the repeatable torque accuracy within  $\pm 3\%$ .
- The cordless battery screwdriver has built-in indicating light to indicate the fasten procedure during operation. The green LED will light up and give a short beep for every fastening screw. Conversely, the red LED will light up and give a long beep if the screw is fastened incorrectly or NG.
- Users can select HI/LO speed via the electrical switch to meet the operation requirement.
- Excellent ergonomic design, in order to hold the cordless battery screwdriver comfortably.
- In order to extend battery operating time, the cordless battery screwdriver will turn to sleep mode automatically when it idled over 3 seconds. Sleep mode helps to save power and extend battery life time.

## Specifications

Model		SKC-PTA-BS20	SKC-PTA-BS30	SKC-PTA-BS45
Input Voltage		10.8V		
Torque (N.m)	Hard Joint	0.3~2.0	0.8~3.0	1.5~4.5
	Soft Joint	0.3~1.6	0.8~2.4	1.5~3.6
Repeatable Torque Accuracy		$\pm 3\%$ (torque test in scale 4)		
Torque Adjustment		External Stepless		
Free Speed (r.p.m) $\pm 10\%$	HI	1200	1200	700
	LO	850	850	500
Weight (kg)		0.7 (Without Battery)		
Size (mm)		270X60 (LXH Without Battery)		
Applicable Battery		SKC-LB1025S		
Applicable Charge Station		SKC-P50W-S		
Applicable Torque Meter		KTM-150		
Applicable Bit Type				



**KILEWS**

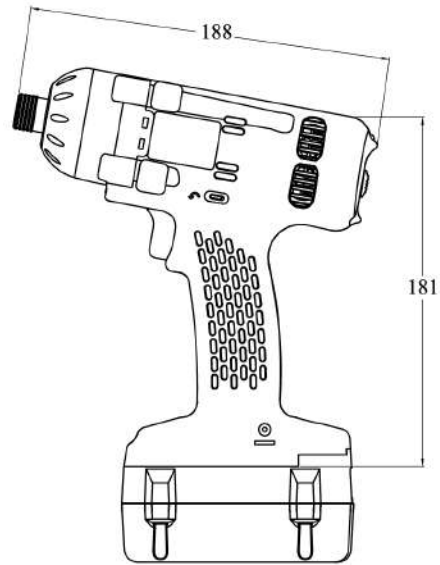
**IMPACT INDUSTRIAL CORDLESS  
BRUSHLESS HIGH TORQUE BATTERY SCREWDRIVERS SERIES  
SKC-PTI Series**



**Product Features**

- The high power brushless motor was researched, developed, and produced by Kilews, with 1 year warranty.
- The best choice for industrial production and assembly with heavy instant beat, can reach 3100 times per min. Best-suited for fastening the big nut for heavy industrial.
- The maximum torque can reach to 200 N.m and applicable for heavy industry assembling.
- Adopting Japanese high performance Li-ion (Li-Mn) battery which has longest standby time and lifetime.
- The cordless battery screwdriver has beep alarm warning when the battery power capacity is low. The red LED will flicker when 20% left of battery power capacity and light up continuously when 10% left of battery power capacity. User can be reminded to replace the battery by the LED warning light.
- The user can base on the requirement to select HI/MID/LO torque forces via the electrical switch to prevent unnecessary hammer consumption.
- LED illumination, LED will light up while screwdriver is operating to help user to see the fastening object status and to make sure the screws are aimed to exact positions.
- In order to hold the cordless battery screwdriver comfortably, the shape is designed to be 10 degrees elevation and balanced as good ergonomic.
- In order to extend battery operating time, the cordless screwdriver will turn to sleep mode automatically when it idled over 3 seconds. Sleep mode helps to save electricity and extend battery life time.

**External Dimension**



SKC-PTI-160

**Specifications**

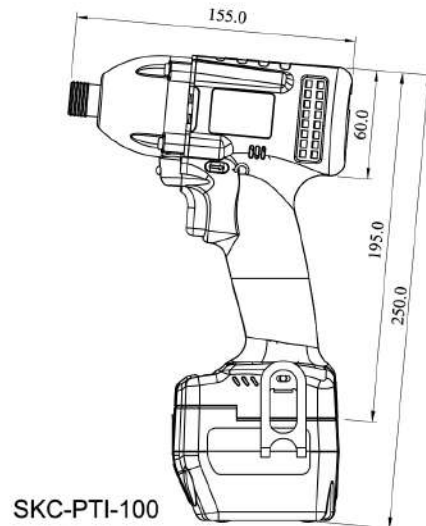
Model	SKC-PTI-200	SKC--PTI-160
Input Voltage	18V	18V
Free Speed (r.p.m) ±10%	0~2100	0~2100
B.P.M	0~3100	0~2800
Torque(N.m)	0~200	0~160
Impact modes	HI	0~200
	MID	0~160
	LO	0~120
Weight (kg)	1.1(Without Battery)	
Size (mm)	188x181 (LxH Without Battery)	
Applicable Battery	SKC-LB1840 / SKC-LB1820	
Applicable Charge Station	SKC-P120W / SKC-P80W / SKC-80W	
Applicable Bit Type		



# IMPACT INDUSTRIAL CORDLESS BRUSHLESS MEDIUM TORQUE BATTERY SCREWDRIVERS SERIES SKC-PTI Series

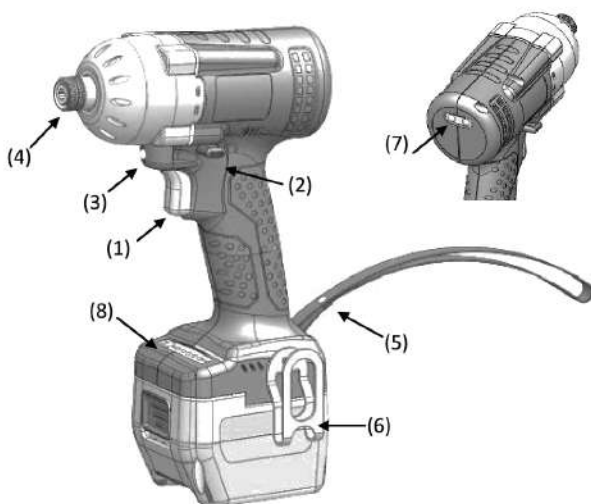


## External Dimension



SKC-PTI-100

## Function / Operating Introduction



## Function Name Table

No.	Description	No.	Description
(1)	Trigger Switch	(5)	Wrist Strap
(2)	Forward/Reverse Lever	(6)	S Waist Hook
(3)	LED Light	(7)	Indication Light
(4)	Bit Sleeve	(8)	Torque Adjustment Light

## Product Features

- 5 steps of torque adjustment with LED indication. User can set torque output according to their requirement to prevent unnecessary hammer consumption. Fastening status will also be shown on LED indication.
- Ergonomic grip design for comfort operation and reduce operator fatigue from long time operation.

## Specifications

Model	SKC-PTI-100	SKC--PTI-50
Input Voltage	18V	18V
Free Speed (r.p.m) $\pm 10\%$	0~2300	0~2300
B.P.M	0~3000	0~3000
Torque (N.m)	0~100	0~50
Impact modes	1	0~20
	2	0~40
	3	0~60
	4	0~80
	5	0~100
Weight (kg)	1.0 (Without Battery)	
Size (mm)	155x195 (LxH Without Battery)	
Applicable Battery	SKC-LB1820B	
Applicable Charge Station	SKC-P80W-D	
Applicable Bit Type	 B  16 8.35 HEX 6.35mm(No.3) W  3/8"sq	



**KILEWS®**

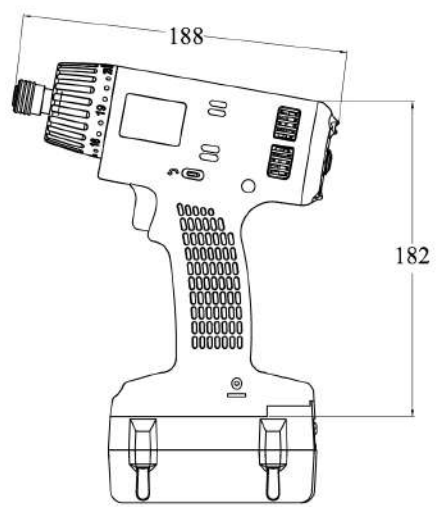
**SEMI-AUTOMATIC INDUSTRIAL CORDLESS  
BRUSHLESS MEDIUM TORQUE BATTERY SCREWDRIVERS SERIES  
SKC-PTS Series**



**Product Features**

- The high power brushless motor was researched, developed and produced by Kilews, with 1 year warranty.
- The best choice of industrial tool which can set the maximum torque up to 12 N.m, and the repeatable torque accuracy within  $\pm 10\%$ .
- Adopting Japanese high performance Li-ion (Li-Mn) battery which has longest standby time and lifetime.
- The cordless battery screwdriver has beep alarm warning when the battery power capacity is low. The red LED will flicker when 20% left of battery power capacity and light up continuously when 10% left of battery power capacity. User can be reminded to replace the battery by the LED warning light.
- The cordless battery screwdriver has built-in indicating light to indicate the fasten procedure. The green LED will light up and give a short beep warning for every fastening screw. Conversely, the red LED will light up and give a long beep warning if the screw is fastened incorrectly or NG.
- LED illumination, LED will light up while screwdriver is operating to help user to see the fastening object status and to make sure the screws are aimed to exact positions.
- Users can select HI/LO speed via the electric switch to meet the operation requirement.
- In order to hold the cordless battery screwdriver comfortably, the shape is designed to be 10 degrees elevation and balanced as good ergonomic.
- In order to extend battery operating time, the cordless battery screwdriver will turn to sleep mode automatically when it idled over 3 seconds. Sleep mode helps to save electricity and extend battery life time.

**External Dimension**



SKC-PTS-120

**Specifications**

Model		SKC-PTS-120	SKC-PTS-80	SKC-PTS-50
Input Voltage		18V		
Torque (N.m)	Hard Joint	6~12	4~8	1.5~5
	Soft Joint	6~9.6	4~6.4	1.5~4
Repeatable Torque Accuracy		$\pm 10\%$		
Torque Adjustment		23+MAX Steps		
Free Speed (r.p.m) $\pm 10\%$	HI	700	1200	2200
	MID	500	900	1600
	LO	350	600	1100
Weight (kg)		1.0 (Without Battery)		
Size (mm)		188x182 (LxH Without Battery)		
Applicable Battery		SKC-LB1820 / SKC-LB1840		
Applicable Charge Station		SKC-P120W / SKC-P80W / SKC-80W		
Applicable Bit Type				



# CHARGE STATION

## SKC-P Series



SKC-P120W

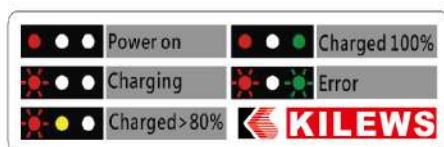
SKC-P80W/80W

SKC-P80W-D

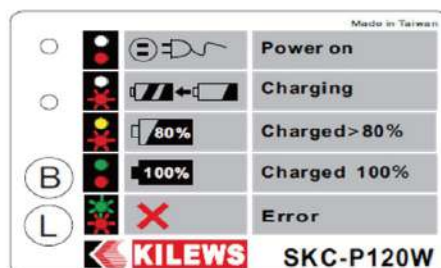
SKC-P50W-S

### Product Features

- Built-in LCD display shows recharging status. If the temperature is over the limit when recharging, the charge station will activate the protection function to stop recharging.
- Charge station can identify whether battery is supplied by KILEWS. When other brands of batteries installed on the charge station, it will not start charging process for the safety protection.
- Charge station can detect recharging time and battery capacity automatically. If any unusual situation happens during recharging, it will give an alert beeps and warning light to warn users.
- Auto buzzer reminds when battery is fully recharged.
- Small size, light weight, quick recharge, and wide voltage range 90~240ACV can be applicable worldwide.



SKC-P80W / SKC-80W / SKC-P80W-D / SKC-P50W-S



SKC-P120W

### Specifications

Model	SKC-P120W	SKC-P80W	SKC-80W	SKC-P80W-D	SKC-P50W-S
Input Voltage	90V~240V	90V~240V	90V~240V	90V~240V	90V~240V
Output Voltage	21V DC	21V DC	21V DC	21V DC	12.6V
Output Current	3.0~4.5A	3.2A	3.2A	3.2A	3.75A
Applicable battery model	SKC-LB1820/1840	SKC-LB1820/1840	SKC-LB1820/1840	SKC-LB1820B/C	SKC-LB1025S
Battery Identification	V	V	-	V	V
Buzzer	V	V	-	V	V
Cooling fan	V	-	-	-	-
Dimensions(WXLXH)	160X170X80mm	145X115X80mm	145X115X80mm	145X115X80mm	145X115X93mm
Weight	1068g	530g	530g	530g	470g
LCD Display	V	-	-	-	-
Safety Certification	CE·ETL	CE·ETL	CE·ETL	CE·ETL	CE·ETL

SKC-P120W Will display battery ID, each recharging time, cell temperature, battery voltage, recharge status.

# KILEWS® RECHARGEABLE BATTERIES

## SKC-LB Series



SKC-LB1820



SKC-LB1840



SKC-LB1820B

### Product Features

- Adopting Japanese high performance Li-ion (Li-Mn) battery.
- Built in protection device to prevent battery overcharge and over discharge.
- The latch design increases intensity and convenience when assembling or dismantling the rechargeable battery from the cordless screwdriver.
- Fully charged voltage: 21V, low-voltage protection: 13.5V, over-temperature protection (discharge): 72°C.
- Battery ID identification design, which only allows original charge station to recharge the battery to secure battery safety and extend battery lifetime.



SKC-LB1820C



SKC-LB1025S

### Battery charging time reference

Battery Model / Capacity	SKC-P120W	SKC-P80W	SKC-80W	SKC-P80W-D	SKC-P50W-S
SKC-LB1820	40 min.	40 min.	40 min.		
SKC-LB1840	60 min.	80 min.	80 min.		
SKC-LB1820B/C				40 min.	
SKC-LB1025S					40 min.

### Specifications

Battery Model	SKC-LB1820	SKC-LB1840	SKC-LB1820B	SKC-LB1820C	SKC-LB1025S
Voltage	18V	18V	18V	18V	10.8V
Capacity	1950mA/hr	3900mA/hr	2000mA/hr	2000mA/hr	2500mA/hr
Rated voltage	18V	18V	18V	18V	10.8V
Power	35Wh	70Wh	36Wh	36Wh	27Wh
Cells Permutation	5 series 1 parallel	5 series 2 parallel	5 series 1 parallel	5 series 1 parallel	3 series 1 parallel
Weight	430g	720g	430g	430g	200g
Dimensions(mm)	119X90X40	119X90X59	92X75X63	92X75X63	51X46X90
Certification	CE·ETL	CE·ETL	CE·ETL	CE·ETL	CE·TUV
UN38.3 Inspection report	YES	YES	YES	YES	YES



# ACCESSORIES

## Screwdriver Holder & Auxiliary Arm Series

### KH, KP-AUX Series



### Screwdriver Holder

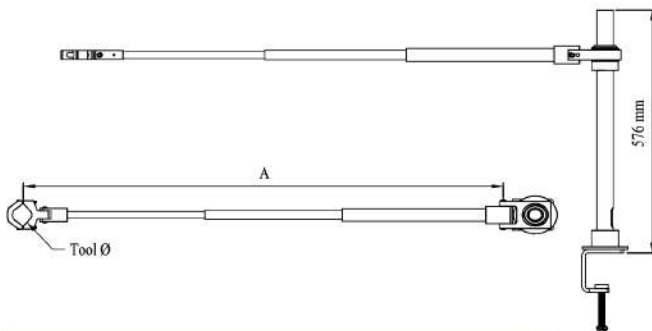


Model	Applicable Models
KH-6	SKC-PTA-120/80
	SKC-PTA-B120/90/50F
	SKC-PTA-B60/35/35F
	SKC-PTA-BE120/90/50F
KH-7	SKC-PTA-220/150

● The new screwdriver holder series can be fixed on the table or wall.  
Position angle of the rack can be adjusted for operator easier to pick up and restore the screwdriver.



### Auxiliary Arm



#### Specifications

Model No.	Max torque (Nm)	A(mini/maxi) cm	diameter(mm) Tool Ø
KP-AUX-C50-1000	50	43~100	38.5~52
KP-AUX-E50-1000			
KP-AUX-B50-1000			
KP-AUX-D50-1000			
KP-AUX-C50-1200	50	50~120	
KP-AUX-E50-1200			
KP-AUX-B50-1200			
KP-AUX-D50-1200			



<p><b>KP-AUX-C50</b> C-Clamp Type</p>	<p><b>KP-AUX-E50</b> Fixed Type</p>	<p><b>KP-AUX-B50</b> Wall-Mounted Type</p>	<p><b>KP-AUX-D50</b> Hanging Type</p>
<p><b>KP-AUX-50</b> For all kind of screwdriver diameter from 38.5~52mm</p>	<p><b>KP-AUX-50-1</b> For SKC-PTA-120/80</p>	<p><b>KP-AUX-50-2</b> For SKC-PTA-220/150</p>	<p><b>KP-AUX-50-3</b> For SKC-PTA-B120/B90/B50F</p>



Taiwan Excellence Award 2018.  
Taiwan Excellence Award 2019.



2013 National Brand of Yushan Award of chairmen's award winner. Photo With Taiwan President Mr. Ma Ying-Jeou.



2012 National Brand of Yushan Award.

